

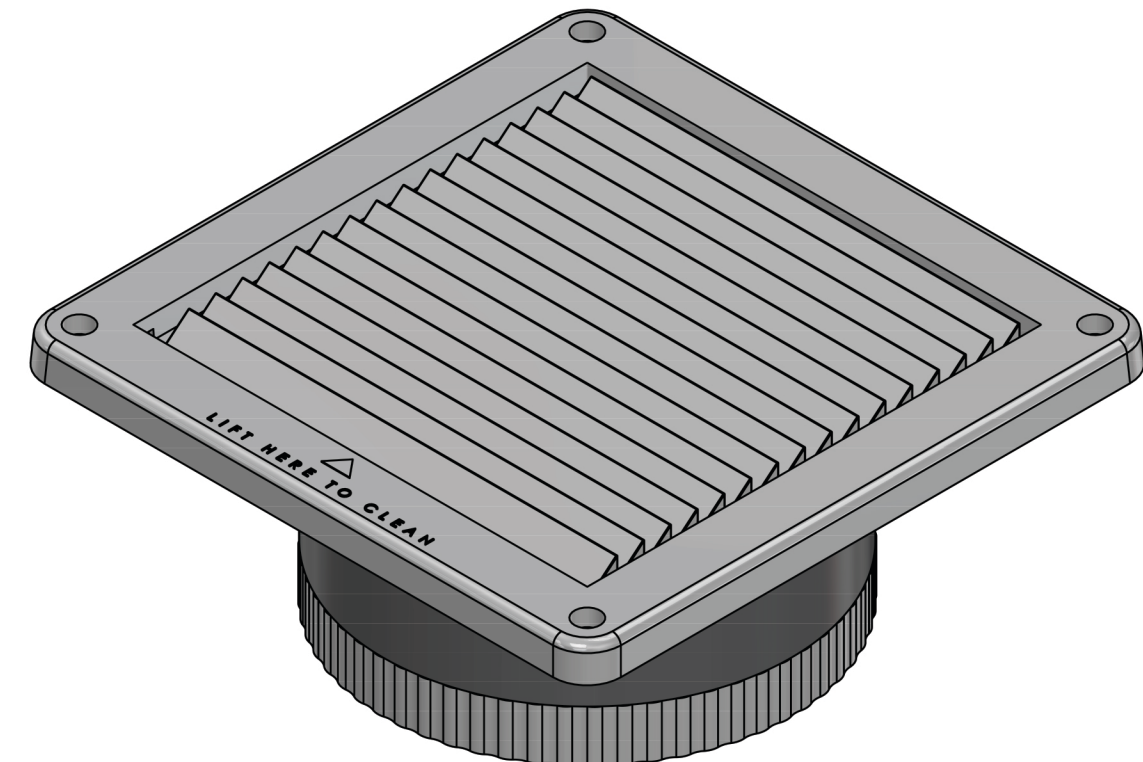
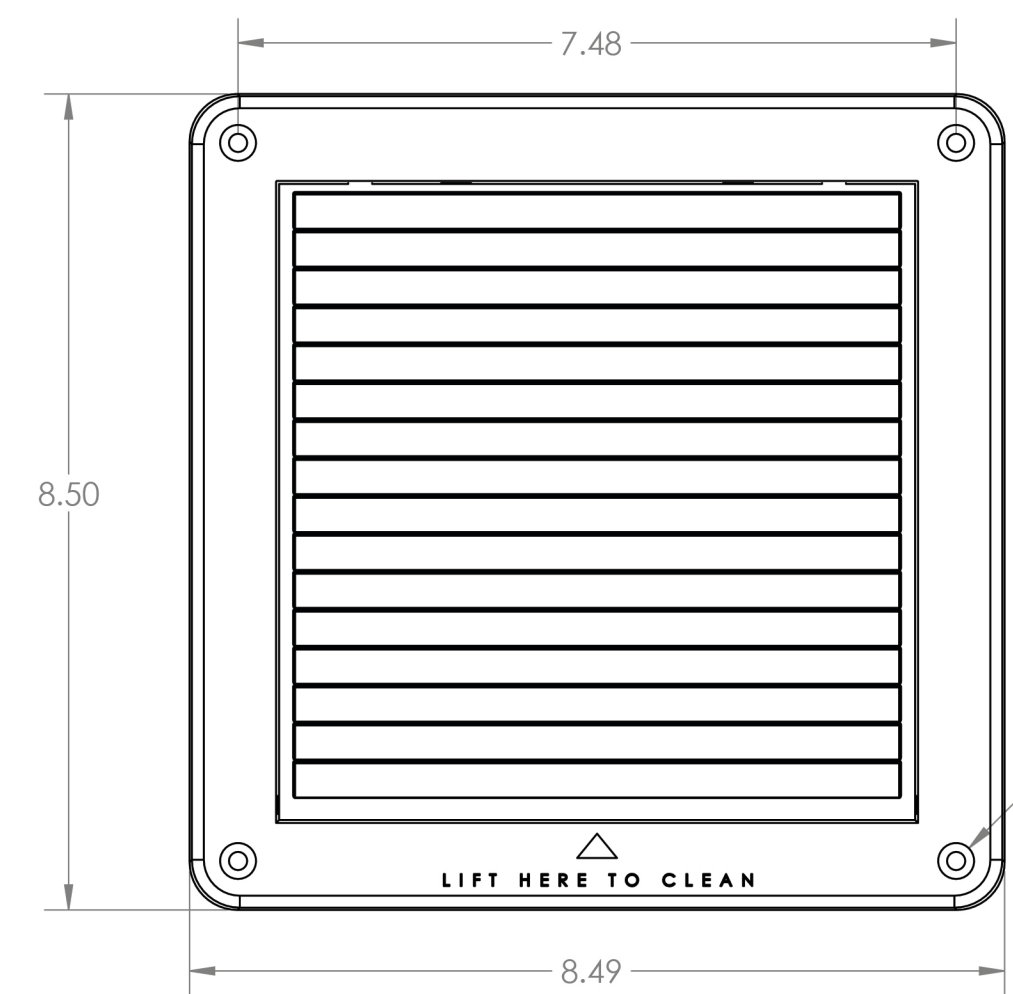
4 3 2 1

B

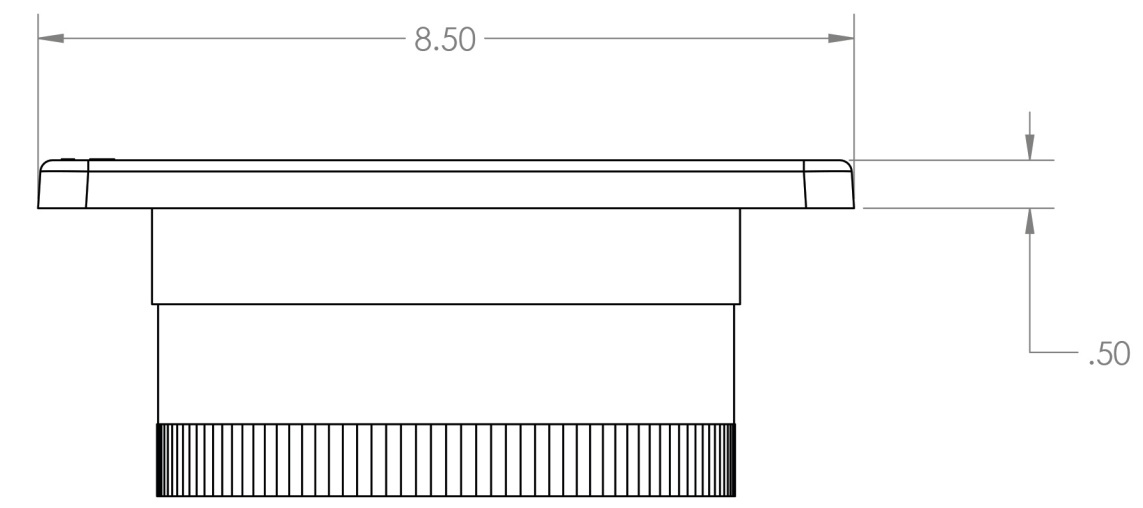
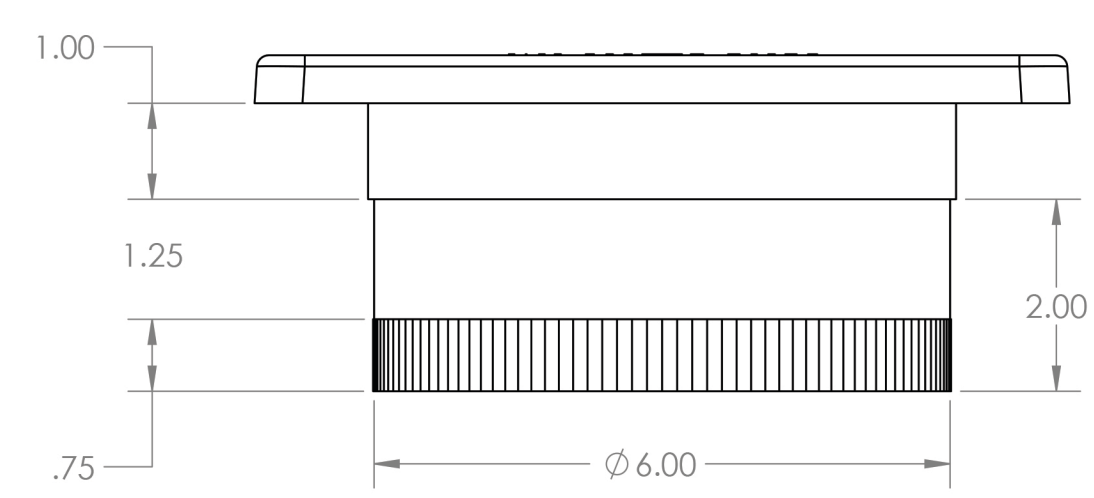
B

A

A



4X ϕ .19 THRU ALL
 \square ϕ .38 ∇ .25



PROPRIETARY AND CONFIDENTIAL
 THE INFORMATION CONTAINED IN THIS DRAWING IS THE SOLE PROPERTY OF LAMBRO. ANY REPRODUCTION IN PART OR AS A WHOLE WITHOUT THE WRITTEN PERMISSION OF LAMBRO IS PROHIBITED.

UNLESS OTHERWISE SPECIFIED:		NAME	DATE
DIMENSIONS ARE IN INCHES		DRAWN	
TOLERANCES:		CHECKED	
FRACTIONAL \pm 1/16		ENG APPR.	
ANGULAR: MACH \pm 1 BEND \pm .01		MFG APPR.	
TWO PLACE DECIMAL \pm 0.01		Q.A.	
THREE PLACE DECIMAL \pm 0.005		COMMENTS:	
INTERPRET GEOMETRIC TOLERANCING PER:		Net Free Area (NFA)	
MATERIAL		17 sq. in.	
FINISH			
NEXT ASSY	USED ON		
APPLICATION		DO NOT SCALE DRAWING	



Lambro Industries, Inc.
 115 Albany Ave.
 Amityville, NY 11701
 (631) 842-8088
 www.lambro.net

TITLE: 6" Plastic Fresh Air Intake Vent 3" Aluminum Pipe Removable Screen		
SIZE	DWG. NO.	REV
B	676W-ML	
SCALE: 1:2	WEIGHT:	SHEET 1 OF 1

4 3 2 1