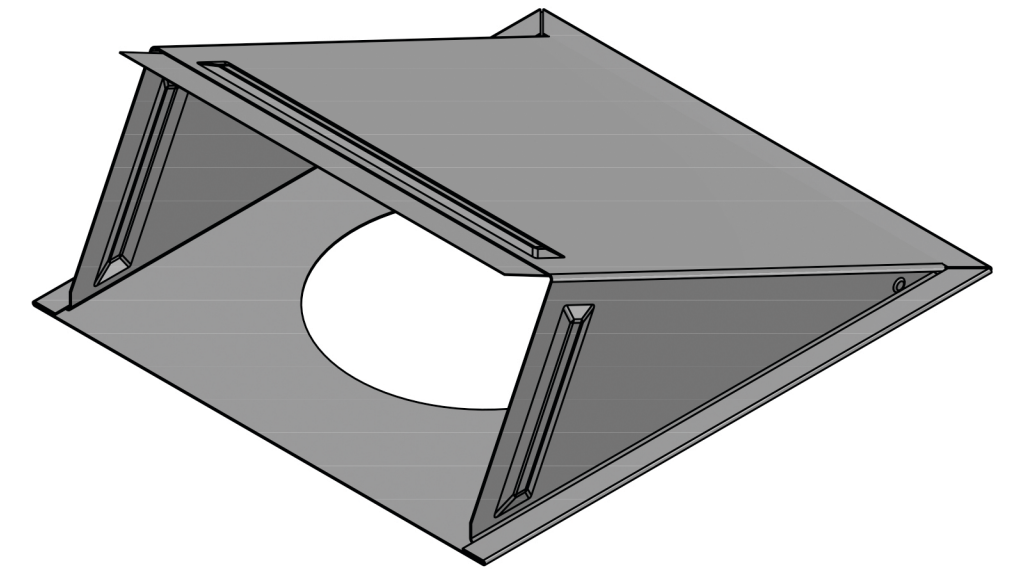
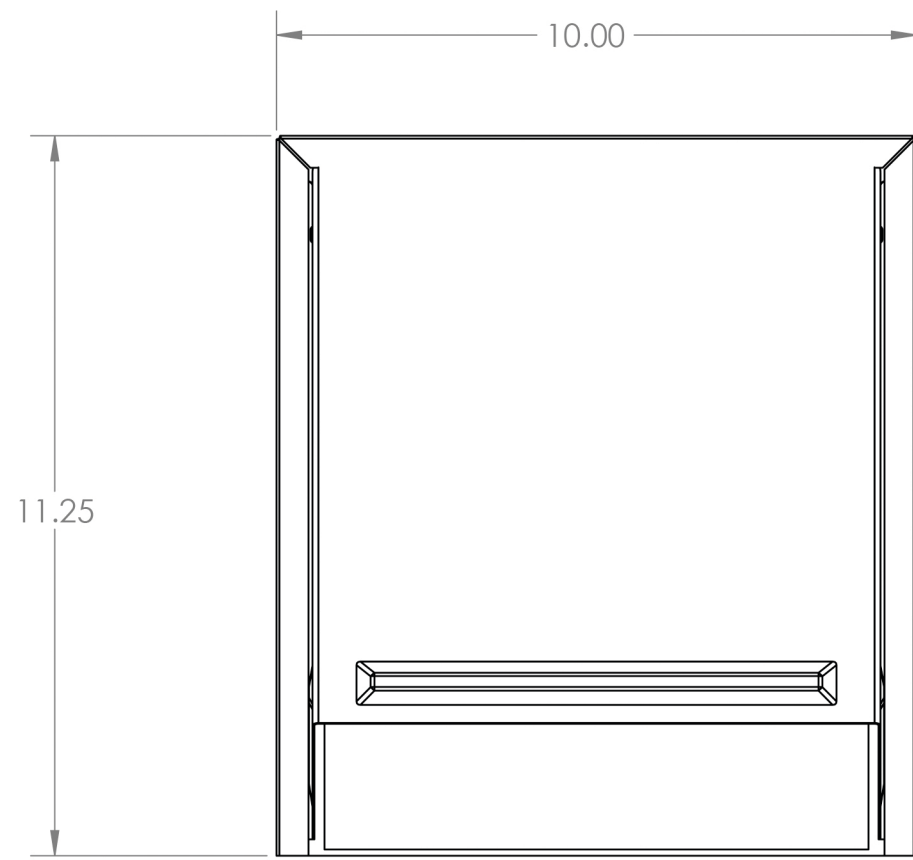


4

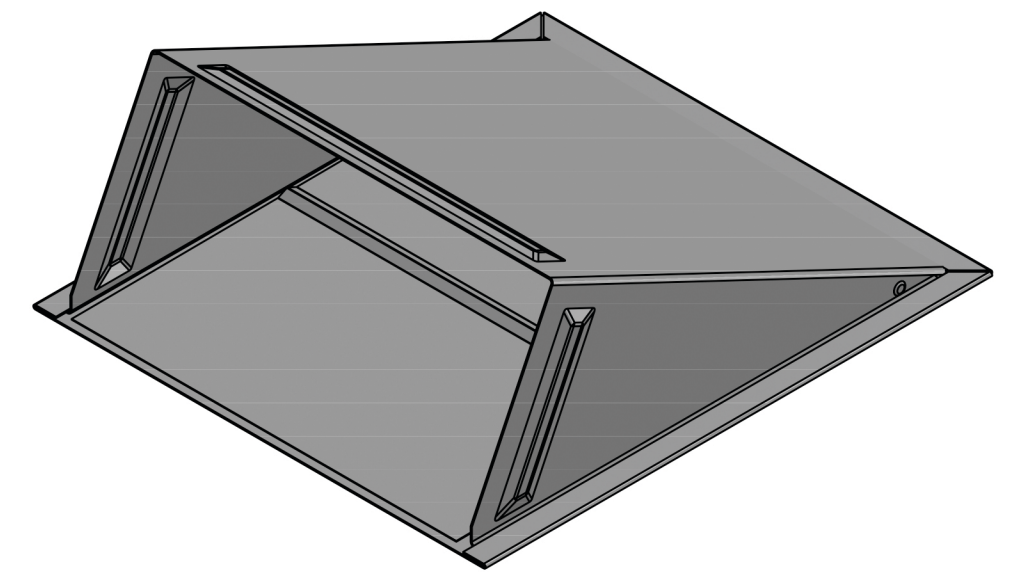
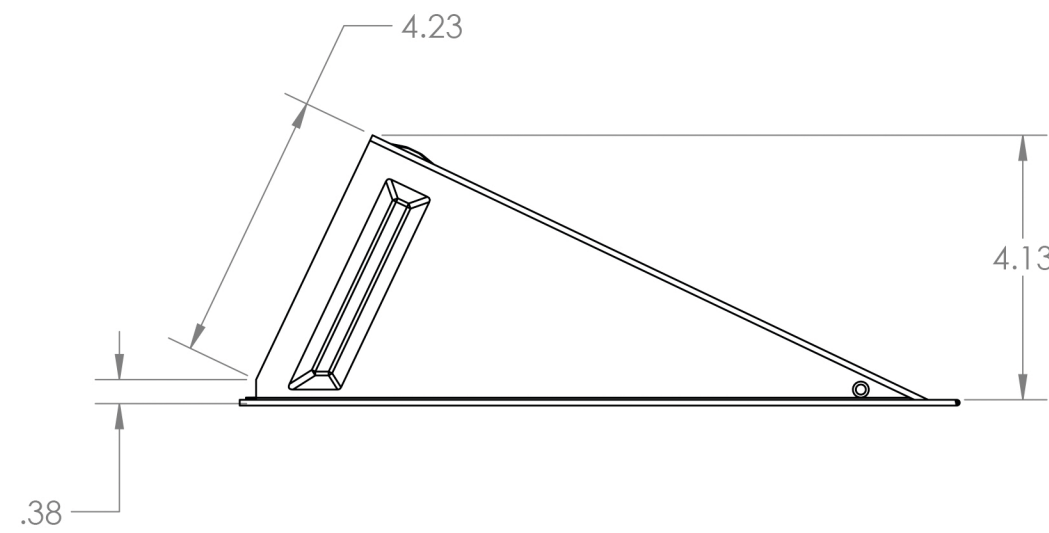
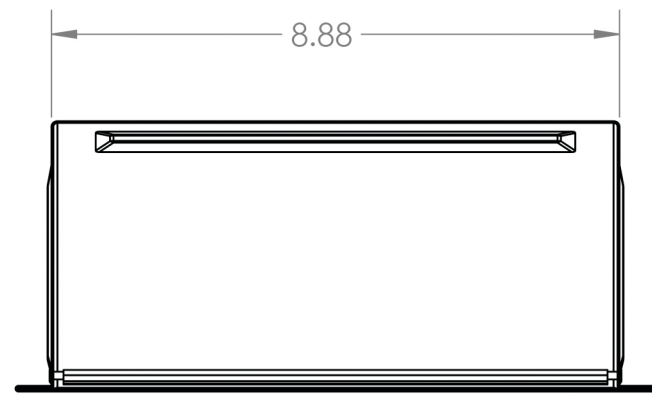
3

2

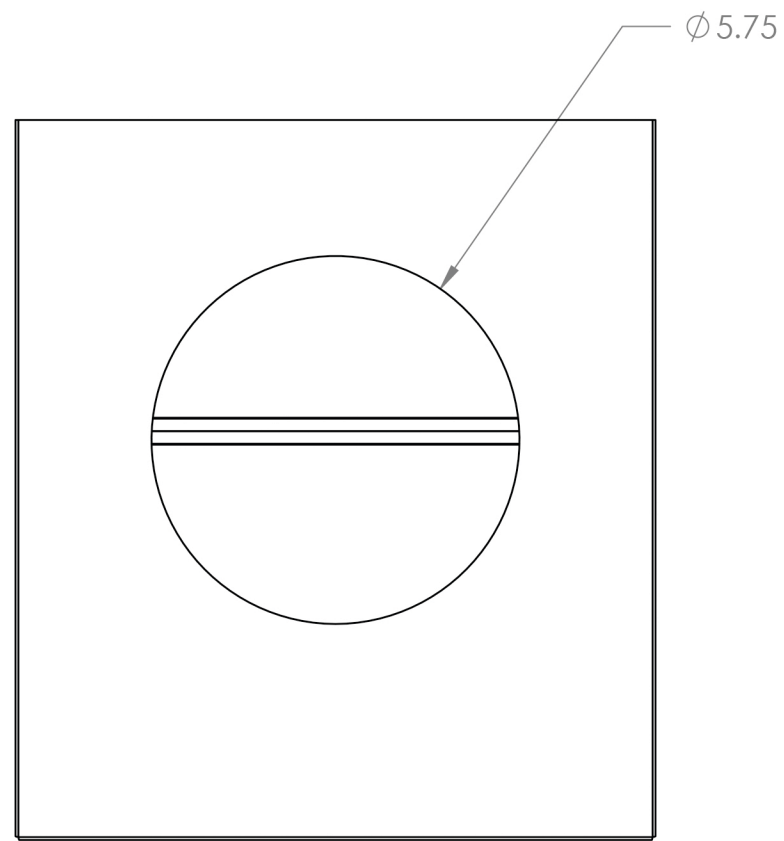
1



OPEN VENT



CLOSED VENT



OPEN VENT WITH SCREEN AREA - 40 IN<sup>2</sup>

**LAMBRO** Lambro Industries, Inc.  
 115 Albany Ave.  
 Amityville, NY 11701  
 (631) 842-8088  
 www.lambro.net

**PROPRIETARY AND CONFIDENTIAL**  
 THE INFORMATION CONTAINED IN THIS DRAWING IS THE SOLE PROPERTY OF LAMBRO. ANY REPRODUCTION IN PART OR AS A WHOLE WITHOUT THE WRITTEN PERMISSION OF LAMBRO IS PROHIBITED.

UNLESS OTHERWISE SPECIFIED:		NAME	DATE
DIMENSIONS ARE IN INCHES		DRAWN	
TOLERANCES:		CHECKED	
FRACTIONAL ± 1/16		ENG APPR.	
ANGULAR: MACH ± 1 BEND ± .01		MFG APPR.	
TWO PLACE DECIMAL ± 0.01		Q.A.	
THREE PLACE DECIMAL ± 0.005		COMMENTS:	
INTERPRET GEOMETRIC TOLERANCING PER:		Net Free Area (NFA)	
MATERIAL		34 sq. in.	
FINISH			
NEXT ASSY	USED ON		
APPLICATION			
		DO NOT SCALE DRAWING	

TITLE: 6" Aluminum Wall Exhaust Hood Vent Flush Mount - Damper		
Cover & Base: 22 Gauge Damper: 26 Gauge		
SIZE	DWG. NO.	REV
	<b>C 3460NT</b>	
SCALE: 1:3	WEIGHT:	SHEET 1 OF 1

4

3

2

1

D

D

C

C

B

B

A

A