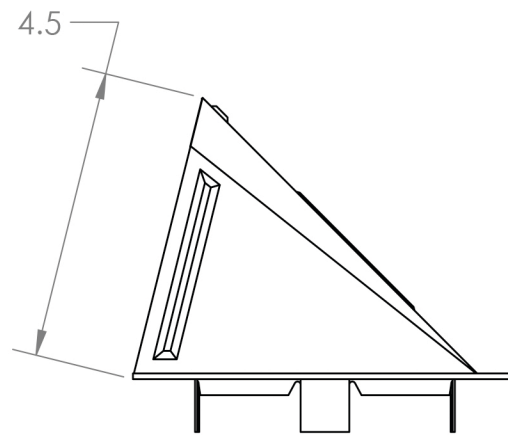
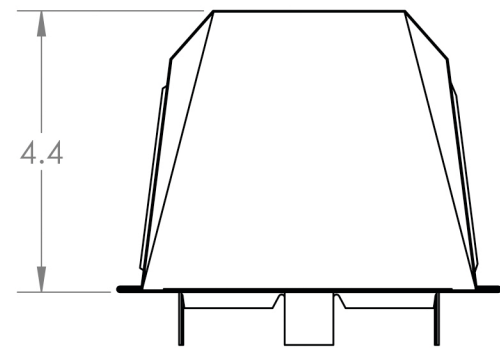
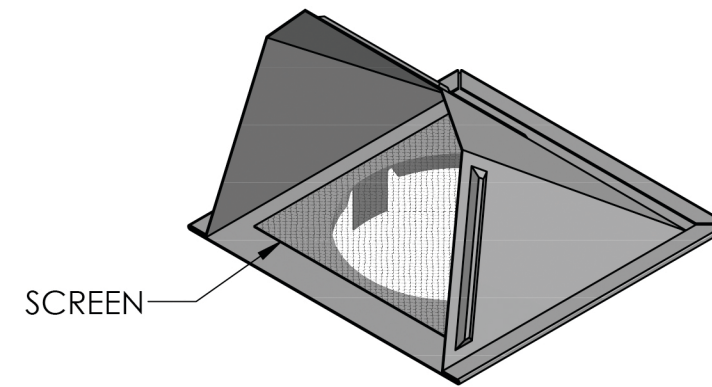
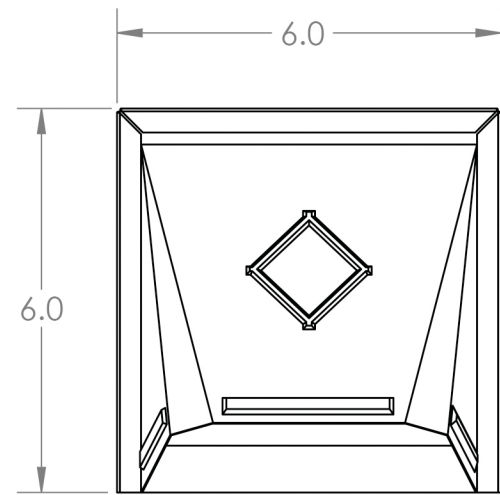


4

3

2

1



VENT OUTLET AREA - 11 IN²



Lambro Industries, Inc.
 115 Albany Ave.
 Amityville, NY 11701
 (631) 842-8088
 www.lambro.net

PROPRIETARY AND CONFIDENTIAL
 THE INFORMATION CONTAINED IN THIS DRAWING IS THE SOLE PROPERTY OF LAMBRO. ANY REPRODUCTION IN PART OR AS A WHOLE WITHOUT THE WRITTEN PERMISSION OF LAMBRO IS PROHIBITED.

		UNLESS OTHERWISE SPECIFIED:	NAME	DATE
		DIMENSIONS ARE IN INCHES	DRAWN	
		TOLERANCES:	CHECKED	
		FRACTIONAL ±1/16	ENG APPR.	
		ANGULAR: MACH ±1 BEND ±.01	MFG APPR.	
		TWO PLACE DECIMAL ±0.01	Q.A.	
		THREE PLACE DECIMAL ±0.005	COMMENTS:	
		INTERPRET GEOMETRIC TOLERANCING PER:	Net Free Area (NFA)	
		MATERIAL	Without Screen: 20.5 sq. in.	
NEXT ASSY	USED ON	FINISH	With Screen: 11 sq. in.	
APPLICATION		DO NOT SCALE DRAWING		

TITLE: 4" Aluminum Wall Exhaust Hood Vent Damper - Screen - Flush Mount
 Cover & Base: 26 Gauge
 Damper: 28 Gauge

SIZE	DWG. NO.	REV
B	344NDSNT	
SCALE: 1:3	WEIGHT:	SHEET 1 OF 1

4

3

2

1

B

B

A

A